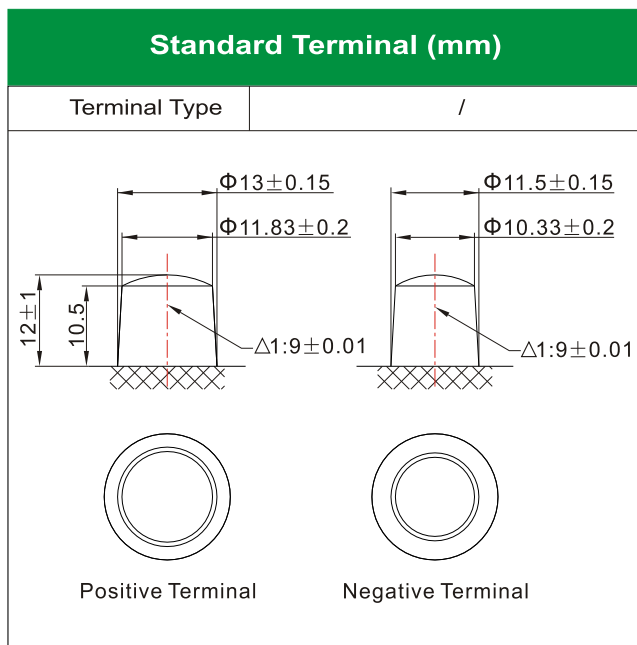
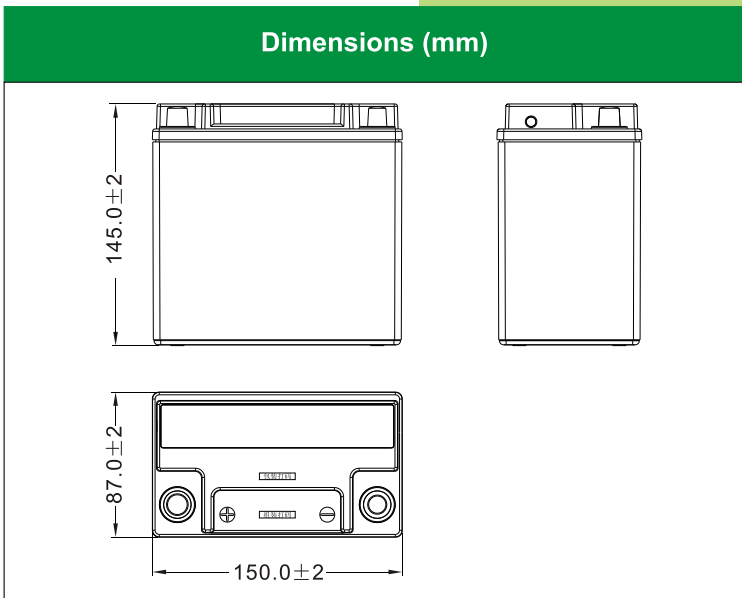




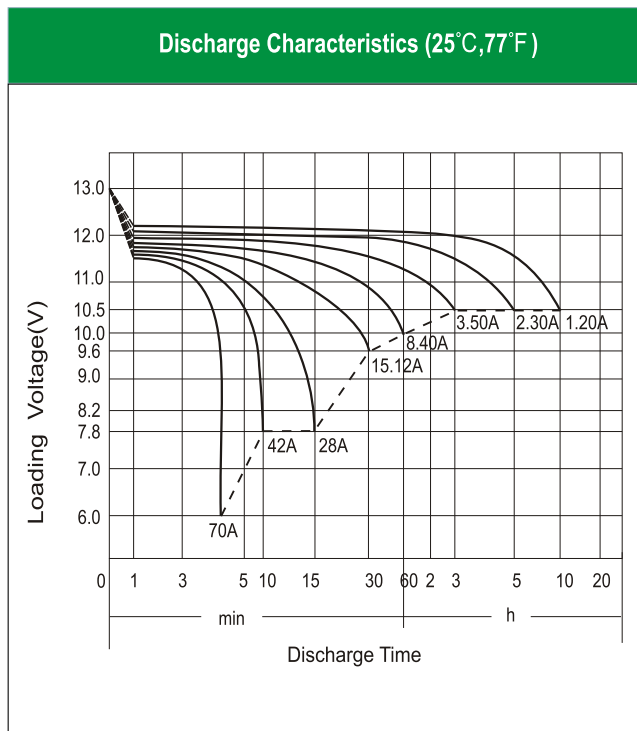
JB14-4 [12V12Ah]



Physical Specification

Nominal Voltage	12V	
Nominal Capacity (10HR)	12AH	
Dimension	Length	150 ± 2 mm (5.91 inches)
	Width	87 ± 2 mm (3.43 inches)
	Container Height	145 ± 2 mm (5.71 inches)
	Total Height (with Terminal)	145 ± 2 mm (5.71 inches)
Weight	Battery(with acid): Approx 4.62kg (10.19lbs)	
	Electrolyte: Approx 0.92kg (2.03lbs)	

- * Sealed and non-spillable AGM battery
- * Maintenance-free
- * Powerful 200 cold cranking amps
- * Shipped pre-charged and ready to install
- * Replaces none battery



Electrical Specification

Rated Capacity	10 hour rate (1.40 A)	14.00AH
	5 hour rate (2.30 A)	11.48AH
	2 hour rate (4.90 A)	9.80AH
	1 hour rate (8.40 A)	8.40AH
	0.5 hour rate (15.12 A)	7.56AH
Capacity affected by Temperature	40 °C (104 °F)	106%
	25 °C (77 °F)	100%
	0 °C (32 °F)	86%
	-15 °C (5 °F)	65%
Self Discharge	Approximately 3% per month (25°C (77°F))	
Charging Methods	Full Charge	Constant-Voltage Charge: Initial charging current: less than 4.2A Voltage: 14.40 V ~ 15.00 V at 25 °C (77 °F) Charging time: 15 ~18h Constant-Current Charge: Charging current: $0.1C_{10}=1.40A$, when charging voltage up to 14.40V, continue to charge 4h
	Floating Charge	No limit on Initial charging current Voltage: 13.50 V ~ 13.80 V at 25 °C (77 °F)