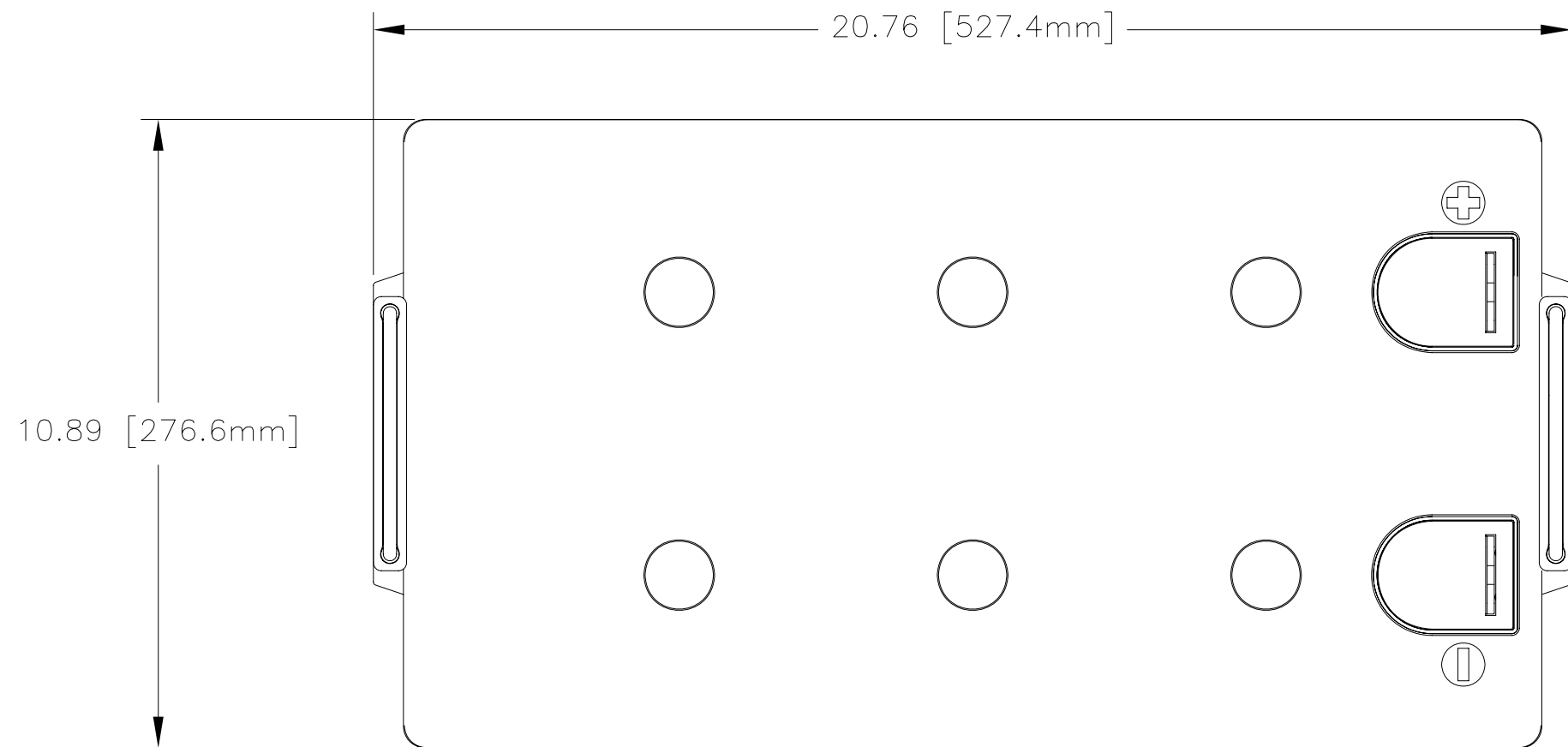


NOTES: UNLESS OTHERWISE SPECIFIED

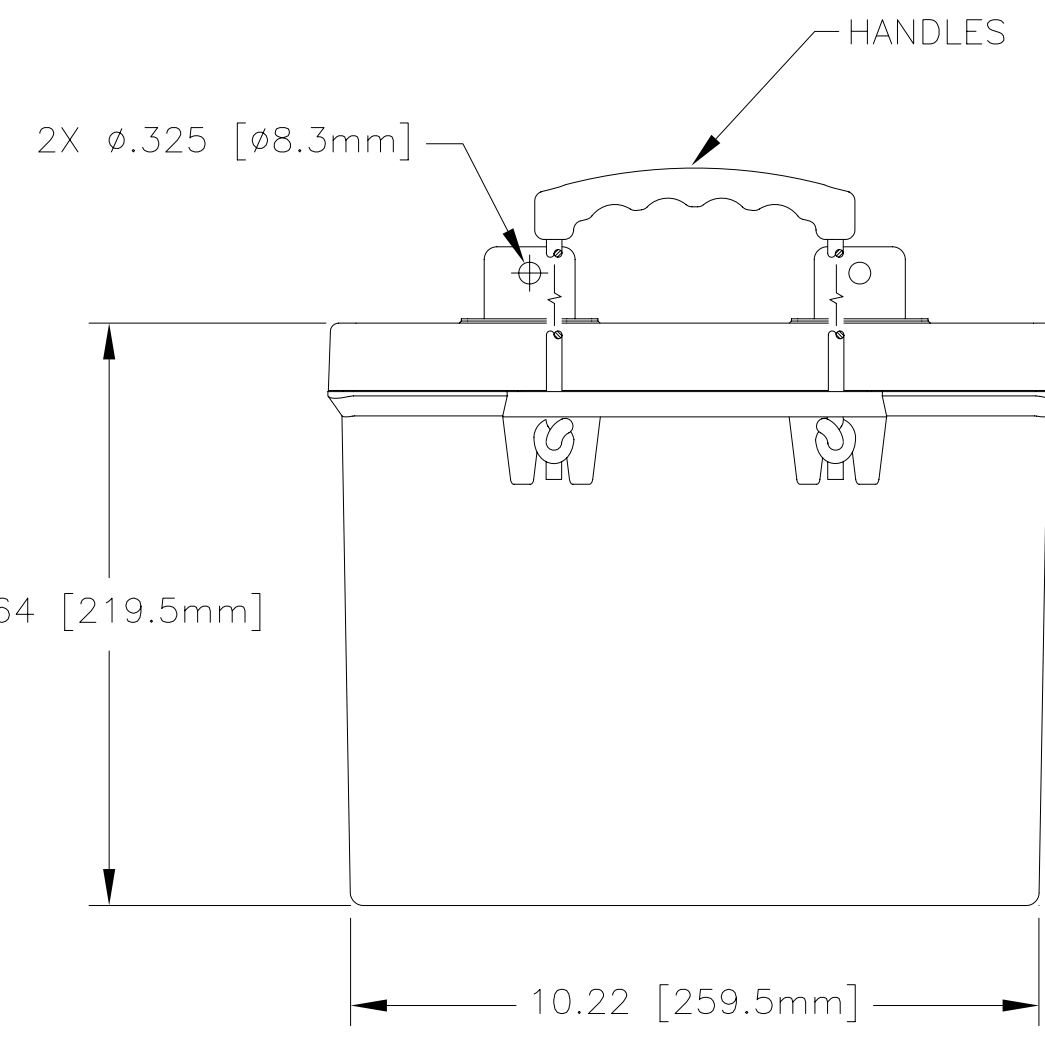
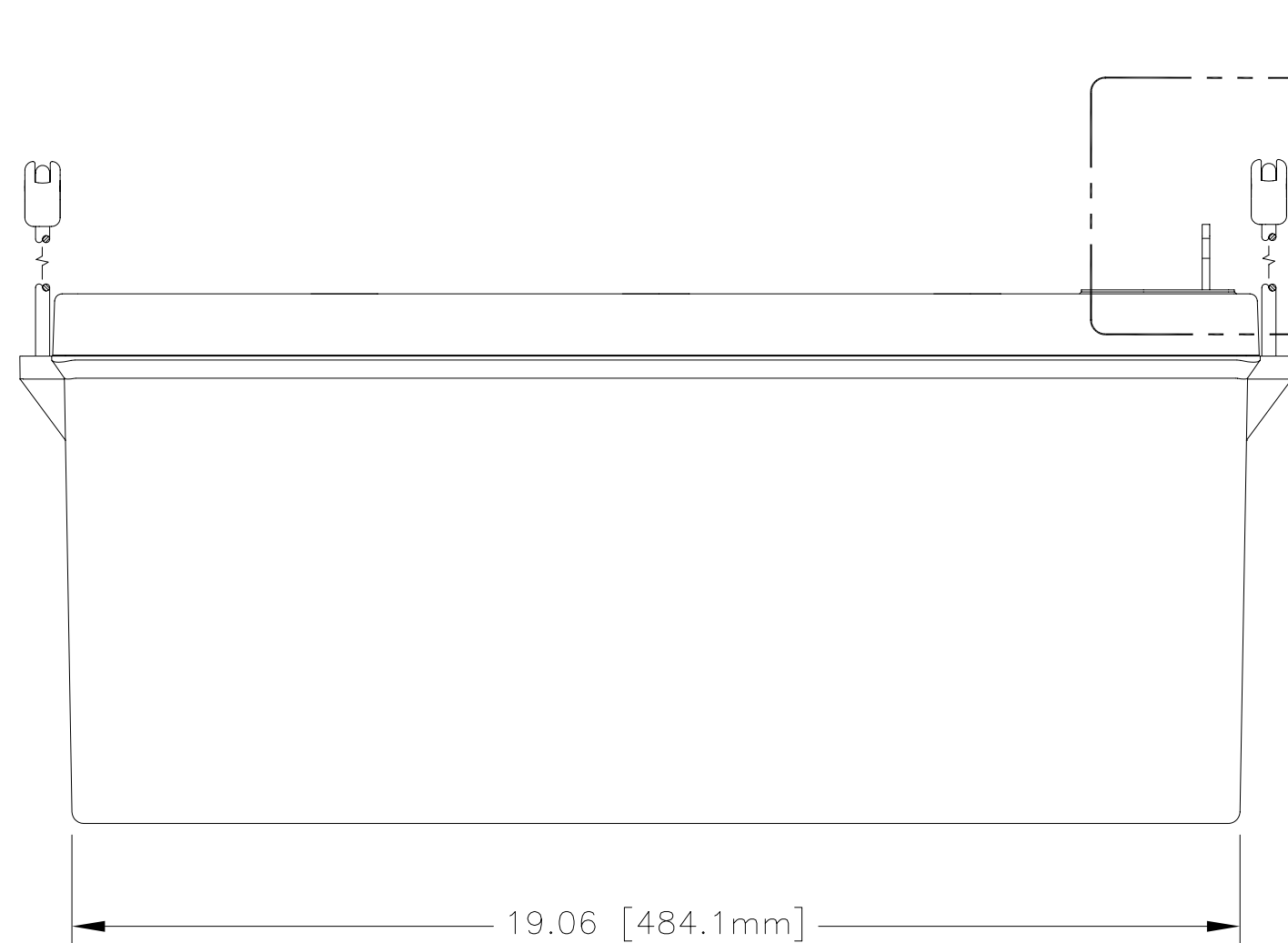
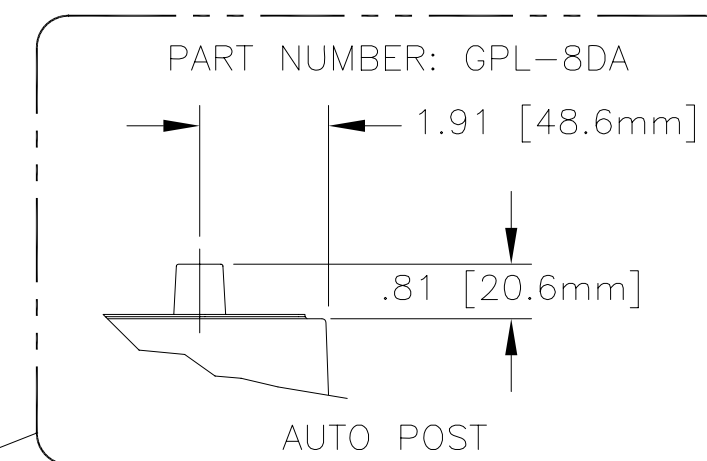
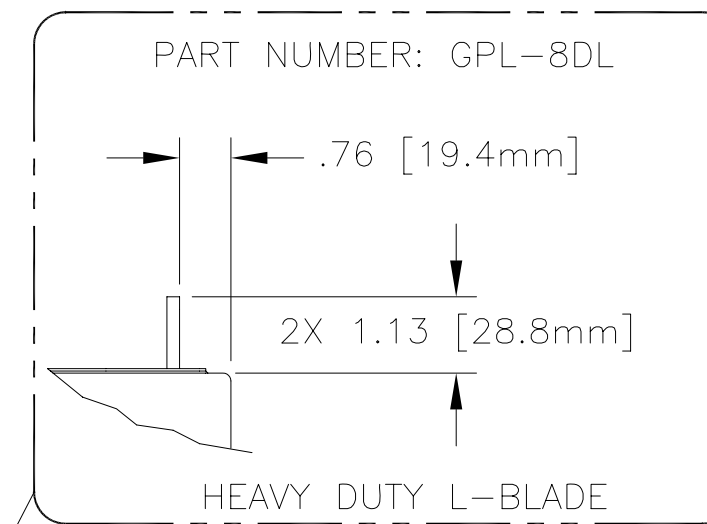
1. SEE DRAWING NO. CB-00295 AND PROCEDURE P-1000 FOR ASSEMBLY AND TEST INSTRUCTION. PROCEDURES AND ASSEMBLY DRAWINGS ARE FOR INTERNAL USE ONLY.
2. ALL TESTING IS PERFORMED IAW BATTERY COUNCIL INTERNATIONAL STANDARDS.
3. ALL DIMENSIONS ARE INCH [MM].

REVISIONS			
REV	DESCRIPTION	DATE	APPROVED
K	SEE DCN GPL8DK	8/10/11	JBT



NOTE: SEE OPTIONS LISTED

GPL-8D TERMINAL OPTIONS



ENVELOPE DRAWING

CAPACITY RATINGS	
PART NUMBER	GPL-8D
NOMINAL WEIGHT	156 LBS[70.8 KG]
AMPERE HOUR CAPACITY @ 20 HOUR 1.75 VOLTS/CELL @ 77°F (25° C)	255 AH
MINUTES OF DISCHARGE @ 25 AMPS 1.75 VOLTS/CELL @ 77°F (25° C)	550 MIN

QTY REQD	CAGE CODE	PART OR IDENTIFYING NO.	NOMENCLATURE OR DESCRIPTION	MATERIAL SPECIFICATION	ITEM NO.
PARTS LIST					
UNLESS OTHERWISE SPECIFIED DIMENSIONS ARE IN INCHES TOLERANCES ARE: FRACTIONS DECIMALS ANGLES ± 1/32 .XX ± .06 ± 1° .XXX ± .030			CONCORDE BATTERY CORPORATION 2009 SAN BERNARDINO RD, W. COVINA, CA 91790		
TREATMENT NONE		APPROVALS		TITLE	
FINISH NONE		DRAWN TORRES J.		BATTERY, 12 VOLT, GPL-8D	
SIMILAR TO		CHECKED JR		SIZE C	
ACT WT		APPROVED DG		CAGE CODE 63017	
CALC WT		ISSUED JJ		DWG NO. GPL-8D	
		DATE 8/12/11		REV K	
		SCALE NONE		SHEET 1 OF 1	