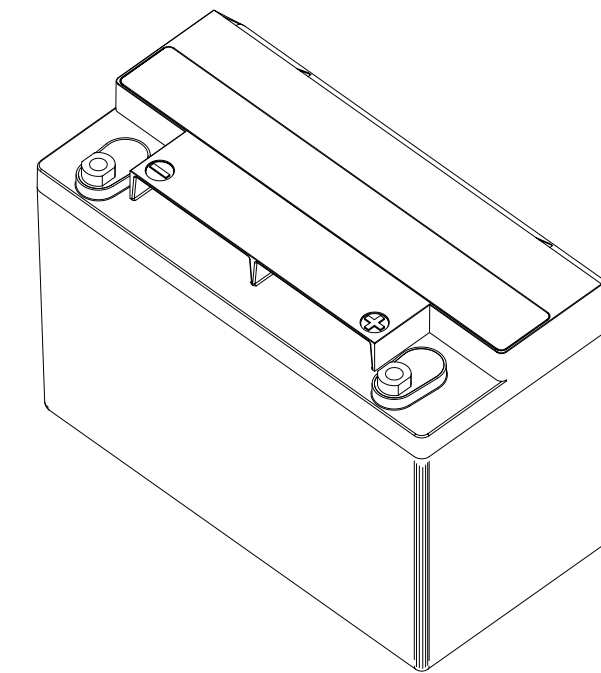
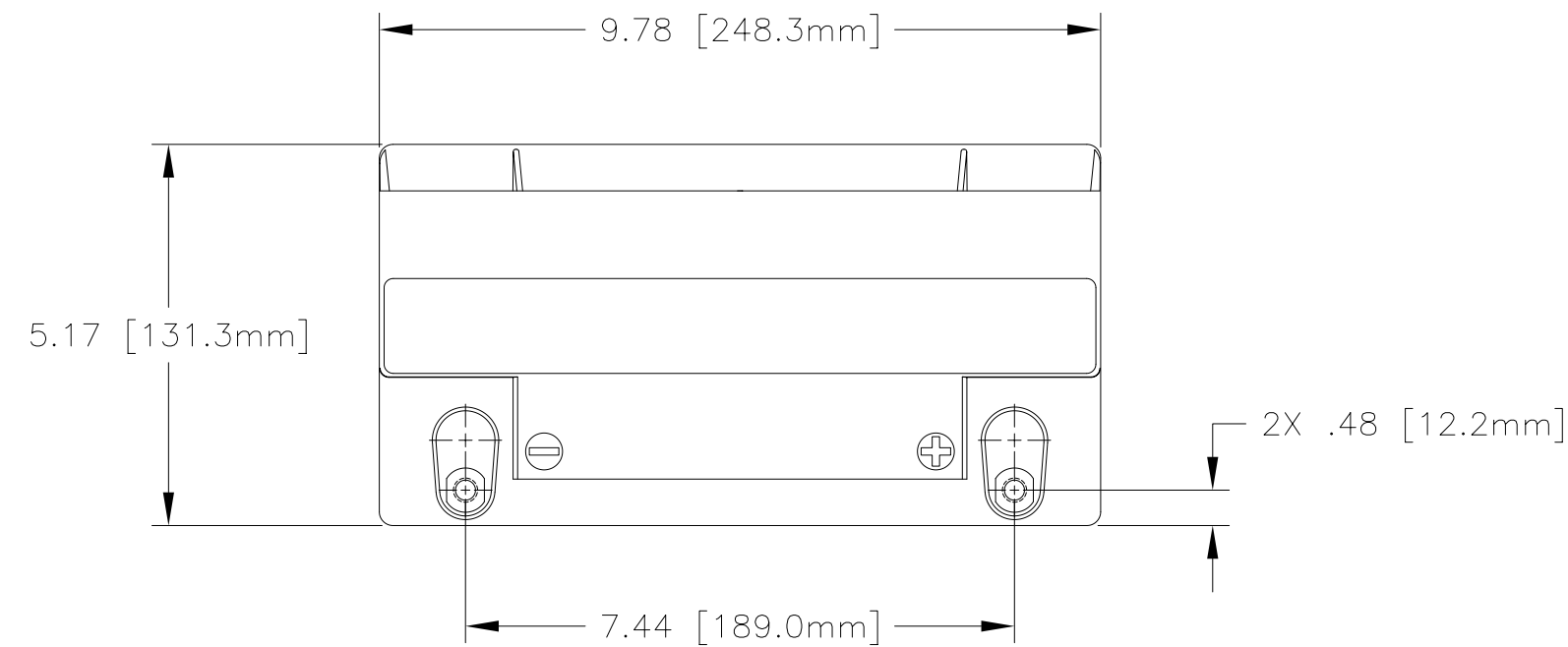


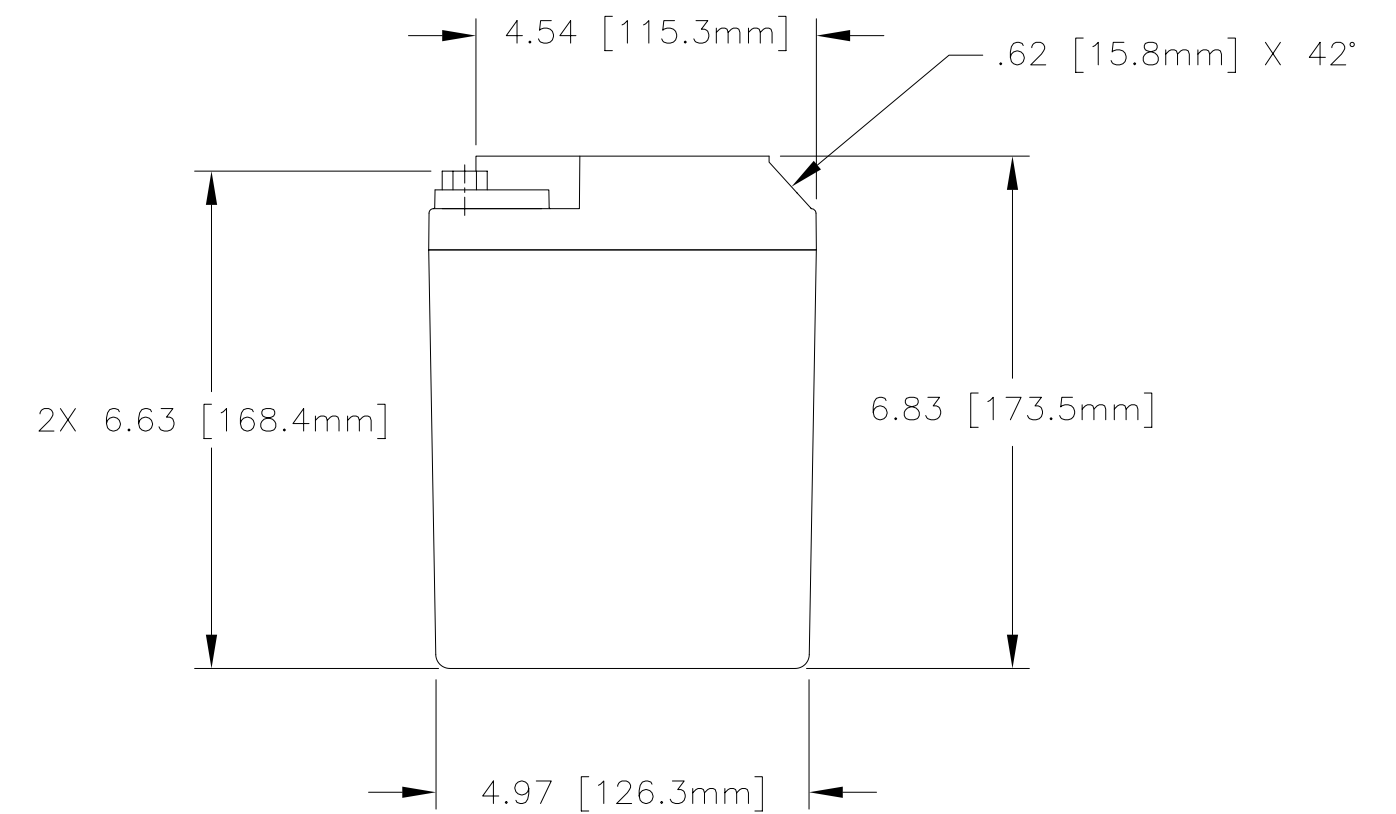
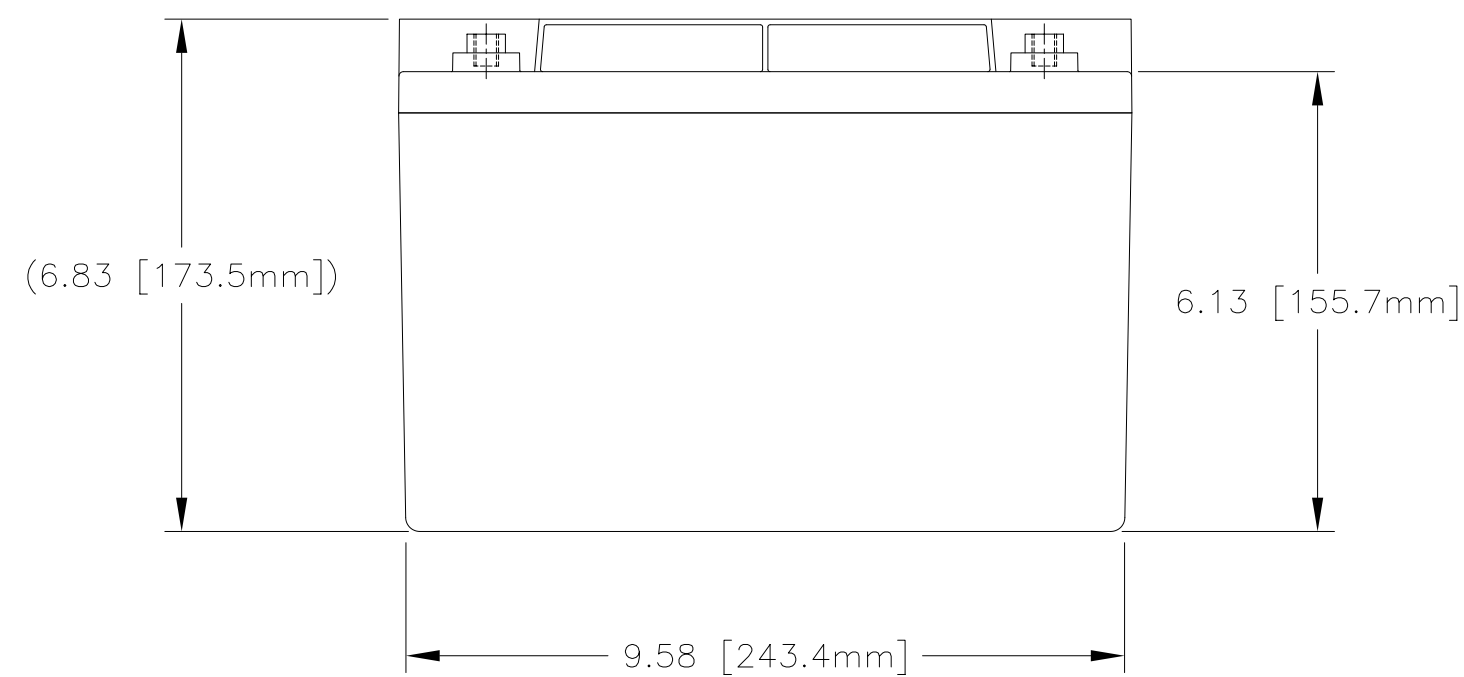
NOTES: UNLESS OTHERWISE SPECIFIED

1. SEE DRAWING NO. CB-00315 AND PROCEDURE P-1000 FOR ASSEMBLY AND TEST INSTRUCTION. PROCEDURES AND ASSEMBLY DRAWINGS ARE FOR INTERNAL USE ONLY.
2. ALL TESTING ARE IAW BATTERY COUNCIL INTERNATIONAL STANDARDS.
3. ALL DIMENSIONS ARE IN INCHES [MM].

REVISIONS			
REV	DESCRIPTION	DATE	APPROVED
A	REV C1 TO 20HR RATE	9/5/07	DV



REFERENCE VIEW



PART NUMBER	GPL-1400
MAXIMUM WEIGHT	32 LBS [14.5 KG]
AMPERE HOUR CAPACITY @ 20 HOUR 1.75 VOLTS/CELL @ 77°F (25°C)	43 AH
CRANKING Amps @ 68° F	850
CRANKING Amps @ 32° F	700
CRANKING Amps @ 0° F	550
RESERVE CAPACITY	90 MIN

ENVELOPE DRAWING

QTY REQD	CAGE CODE	PART OR IDENTIFYING NO.	NOMENCLATURE OR DESCRIPTION	MATERIAL SPECIFICATION	ITEM NO.
PARTS LIST					
UNLESS OTHERWISE SPECIFIED DIMENSIONS ARE IN INCHES TOLERANCES ARE: FRACTIONS DECIMALS ANGLES .XX ± .06 .XXX ± .060			CONCORDE BATTERY CORPORATION 2009 SAN BERNARDINO RD, W. COVINA, CA 91790		ITEM NO.
TREATMENT NONE		CONTRACT NO.		TITLE BATTERY, VRSLA, 12 VOLT, GPL-1400	
FINISH NONE		APPROVALS		SIZE C	REV A
SIMILAR TO		DRAWN HRF		CAGE CODE 63017	DWG NO. GPL-1400
ACT WT		CHECKED SV		SCALE 1=2.5	SHEET 1 OF 1
CALC WT		APPROVED JBT			
		ISSUED NS			
		DATE 7/12/00			
		DATE 7/13/00			
		DATE 7/21/00			
		DATE 9/7/07			

ENGINEERING COPY 07SEP07