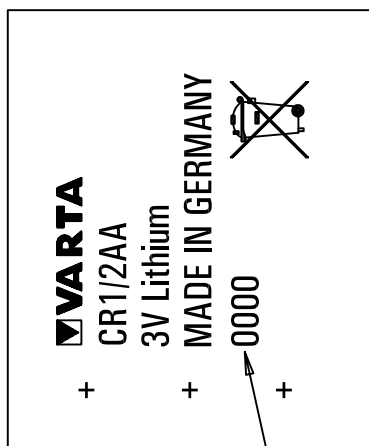
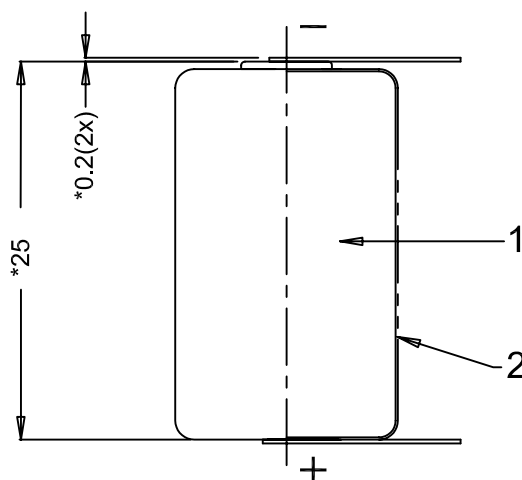
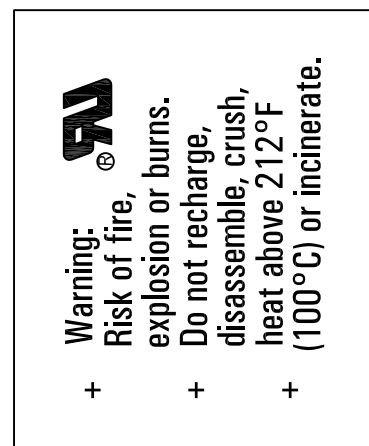


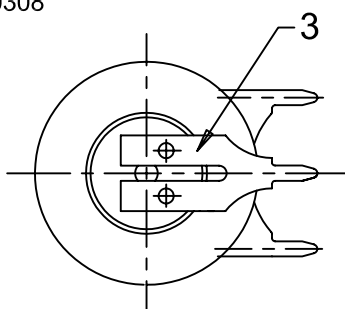
Front artwork



Rear artwork



Monthly date code  
 eg. March 2008 = "0308"



Note : 1) \* Dimensions for reference only.  
 2) Use UL approved green shrink sleeve

No	AO No	Revisions	Date	Name
4	R103/08	To add crossed-out wheeled bin	2008-04-09	Ratna
3	T39/01	Change cell height as ref. dimension	2001-05-30	Atna
2	T88/00	To change Tags from #027976 to #024970 & from #027980 to #024979	2000-08-15	TitisWS
1	T85/99	To Change Tags from #024970 to #027976 & from #024979 to #027980	1999-10-10	Tatang
0		Refer to # 009795	1999-09-07	Tatang

Projection:		Material: Refer to part list no: 071806		Description: CR 1/2 AA SLF battery with shrink sleeve & solder tags	
Dimensions in mm		Prepared & Checked		Dwg. No: 071806	
Tolerance: As specified		1999-09-07		4 0 4	
Scale: 2 : 1		Tatang		VKB Order No: 06127 201 301	