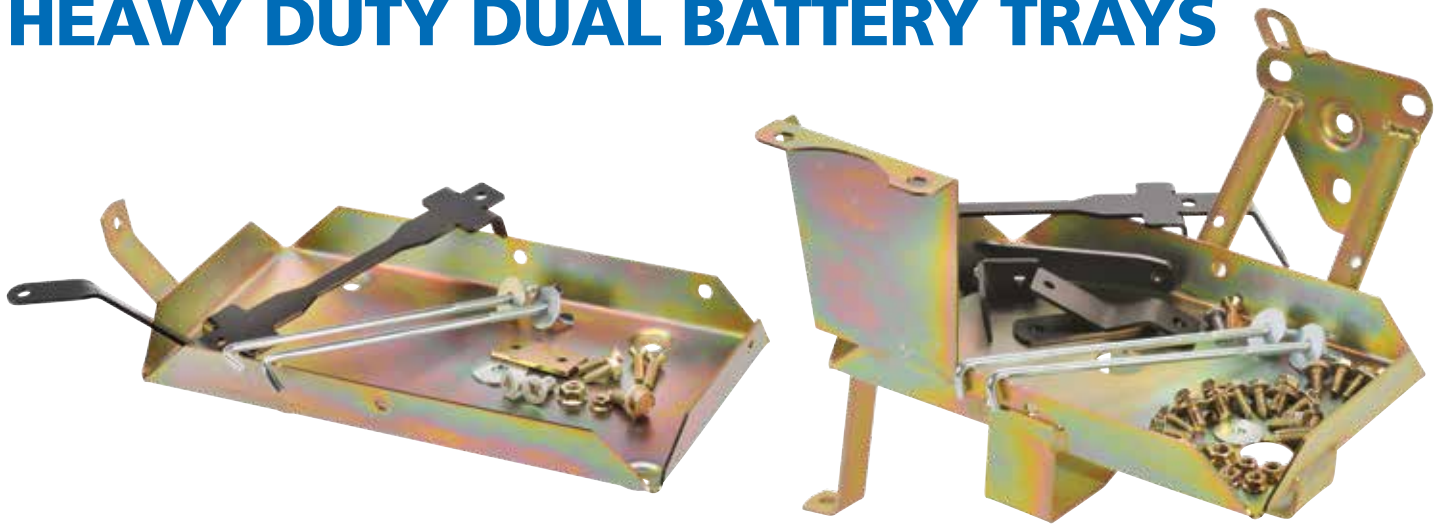




# HEAVY DUTY DUAL BATTERY TRAYS



Projecta's latest Heavy Duty Battery Trays provide the ideal solution when mounting an auxiliary battery into a vehicles engine bay. The range has been engineered and designed to fit specific vehicle types meaning the battery trays can be installed without the inconvenience of having to modify the battery tray or parts of the vehicle.

Made to last, the dual battery trays are constructed from 2mm heavy duty rust and corrosion resistant passivated zinc coated steel and include all necessary mounting hardware for easy hassle free installation.

**AVAILABLE TO SUIT THE FOLLOWING MAKES AND MODELS:**

## FORD

### Part No. HDBT250

**Suits:** Ford Ranger WLT – 2.5 Litre Turbo Diesel & 3.0 Litre Diesel

**Models:** Manual

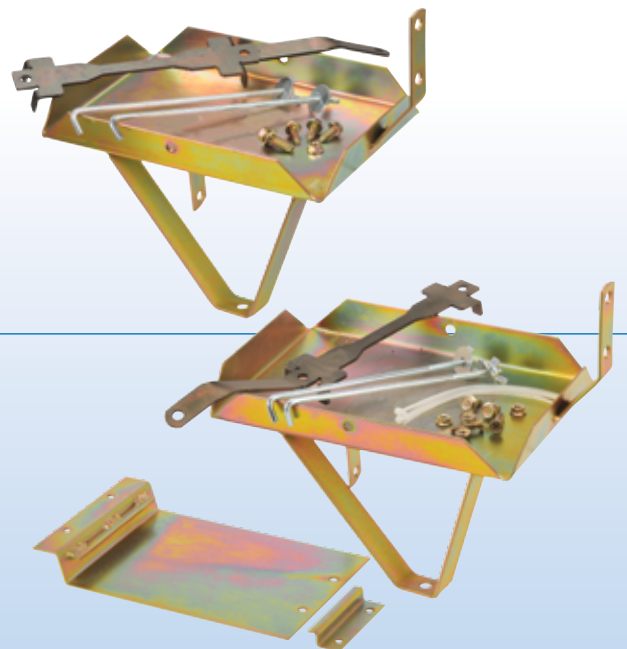
**Years:** 2007–2011

**Max Battery Size (mm):**

L265 x W174 x H220

**Max Battery Weight:** 18Kg

**Suits Battery:** N50



### Part No. HDBT252

**Suits:** Ford Ranger WLT – 2.5 Litre Turbo Diesel & 3.0 Litre Diesel

**Models:** Auto

**Years:** 2007–2011

**Max Battery Size (mm):**

L265 x W174 x H220

**Max Battery Weight:** 18Kg

**Suits Battery:** N50



### Part No. HDBT254

**Suits:** Ford PX Ranger

**Models:** Auto/Manual

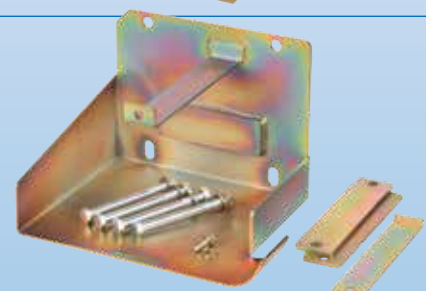
**Years:** October 2011 onwards

**Max Battery Size (mm):**

L326 x W165 x H242

**Max Battery Weight:** 27.2Kg

**Suits Battery:** Optima D31



## HOLDEN

### Part No. HDBT350

**Suits:** Colorado RGD 2.8 Litre Diesel

**Models:** Auto/Manual

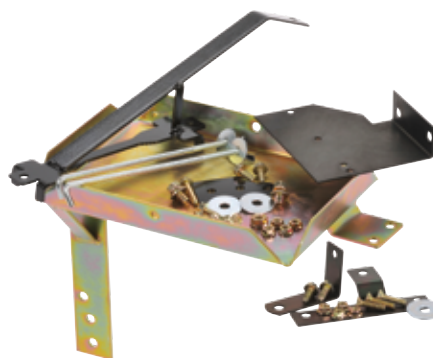
**Years:** 2011 onwards

**Max Battery Size (mm):**

L265 x W174 x H200

**Max Battery Weight:** 19.6Kg

**Suits Battery:** N50 (AGM)



### Part No. HDBT350

**Suits:** Colorado 7 RGD 2.8 Litre Diesel

**Models:** Auto/Manual

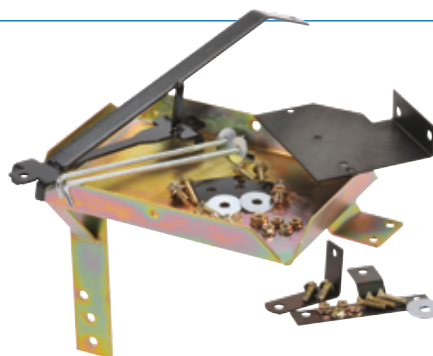
**Years:** 2011 onwards

**Max Battery Size (mm):**

L265 x W174 x H200

**Max Battery Weight:** 19.6Kg

**Suits Battery:** N50 (AGM)



## ISUZU

### Part No. HDBT400

**Suits:** Dmax 3 Litre 4JJ1-TC

Turbo Diesel

**Models:** Auto/Manual

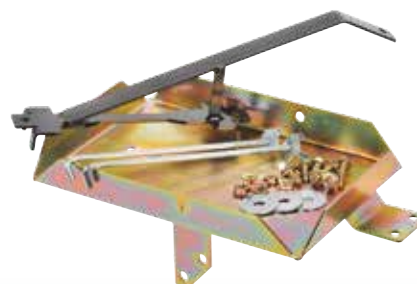
**Years:** 2012 onwards

**Max Battery Size (mm):**

L265 x W174 x H200

**Max Battery Weight:** 19.6Kg

**Suits Battery:** N50 (AGM)



### Part No. HDBT400

**Suits:** MU-X 3 Litre 4JJ1-TC

Turbo Diesel

**Models:** Auto/Manual

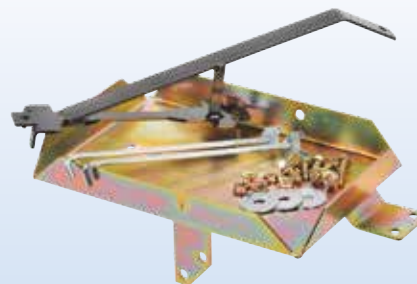
**Years:** 2012 onwards

**Max Battery Size (mm):**

L265 x W174 x H200

**Max Battery Weight:** 19.6Kg

**Suits Battery:** N50 (AGM)



## MAZDA

### Part No. HDBT250

**Suits:** B50 WLT – 2.5 Litre Turbo

Diesel & 3.0 Litre Diesel

**Models:** Manual

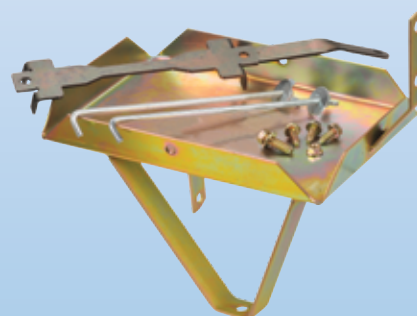
**Years:** 2007–2011

**Max Battery Size (mm):**

L265 x W174 x H220

**Max Battery Weight:** 18Kg

**Suits Battery:** N50



## MAZDA (continued)

### Part No. HDBT252

**Suits:** B50 WLT – 2.5 Litre Turbo Diesel & 3.0 Litre Diesel

**Models:** Auto

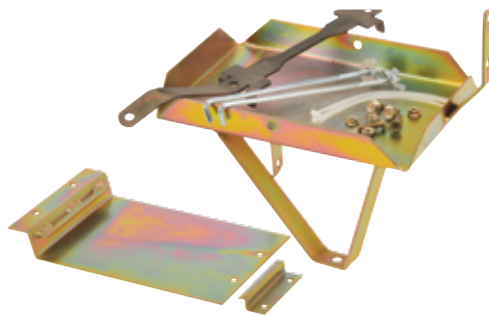
**Years:** 2007–2011

**Max Battery Size (mm):**

L265 x W174 x H220

**Max Battery Weight:** 18Kg

**Suits Battery:** N50



### Part No. HDBT254

**Suits:** BT50

**Models:** Auto/Manual

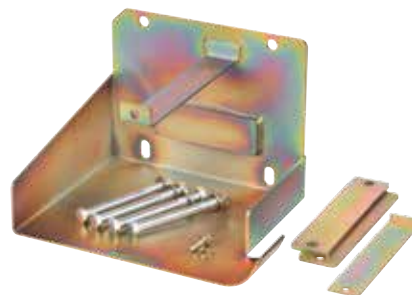
**Years:** October 2011 onwards

**Max Battery Size (mm):**

L326 x W165 x H242

**Max Battery Weight:** 27.2Kg

**Suits Battery:** Optima D31



## MITSUBISHI

### Part No. HDBT200

**Suits:** Pajero NM-NW, 4M41 DID 3.2 Litre & 6G74 3.5 Litre V6 Petrol

**Models:** Auto/Manual

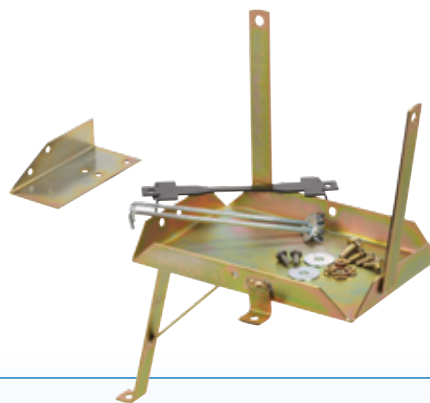
**Years:** 2000 onwards

**Max Battery Size (mm):**

L265 x W174 x H220

**Max Battery Weight:** 18Kg

**Suits Battery:** N70



### Part No. HDBT202

**Suits:** Triton 4M41 DID 3.2 Litre & 4D56 2.5 Litre Turbo Diesel. 6G74 3.5 Litre V6 Petrol & 4G64 2.4 Litre Petrol

**Models:** Auto/Manual

**Years:** 2006 onwards

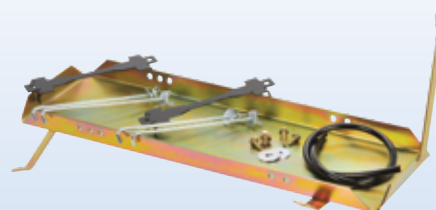
**Max Battery Size (mm):**

L300 x W174 x H 220 (Petrol)

L265 x W174 x H220 (Diesel)

**Max Battery Weight:** 23Kg Petrol, 18Kg Diesel

**Suits Battery:** N70 (Petrol), N50 (Diesel)



## NISSAN

### Part No. HDBT150

**Suits:** Patrol GQ Diesel TD42, 4.2 Litre Diesel & TBS42S, 4.2 Litre Petrol with Carburettor

**Models:** Auto/Manual

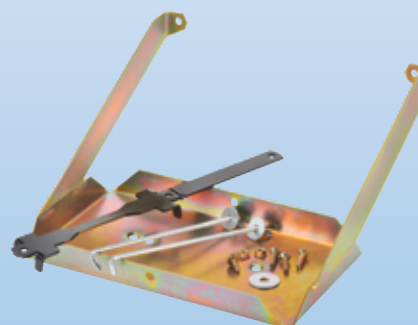
**Years:** 1989–1997

**Max Battery Size (mm):**

L300 x W174 x H220

**Max Battery Weight:** 23Kg

**Suits Battery:** N70



## NISSAN (continued)

### Part No. HDBT152

**Suits:** Patrol GU TD42 4.2 Litre & 3 Litre TDI

**Models:** Auto/Manual

**Years:** 1999–2014

**Max Battery Size (mm):**

L300 x W174 x H220

**Max Battery Weight:** 23Kg

**Suits Battery:** N70



### Part No. HDBT154

**Suits:** Navara D22 2.5 Litre Diesel

**Models:** Auto/Manual

**Years:** 2008 onwards

**Max Battery Size (mm):**

L300x W175 x H220 (No Snorkel fitted)

L265 x W175 H220 (Snorkel fitted)

**Max Battery Weight:** 22Kg (No

snorkel fitted) 17Kg (Snorkel fitted)

**Suits Battery:** N70 (No snorkel fitted),

N50 (Snorkel fitted)



## TOYOTA

### Part No. HDBT100

**Suits:** Landcruiser 70 Series with ABS V8 Wagon/Ute

**Models:** Auto/Manual

**Years:** 2007 onwards

**Max Battery Size (mm):**

L300 x W175 x H220

**Max Battery Weight:** 24Kg

**Suits Battery:** N70 (AGM)



### Part No. HDBT102

**Suits:** Landcruiser 80 Series Diesel 1HZD / 1HDT / 1HDFT TD

**Models:** Auto/Manual

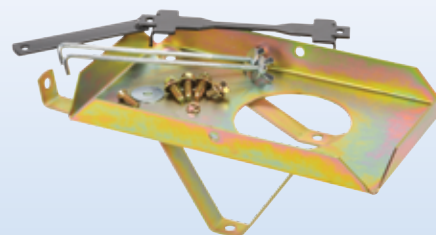
**Years:** 1990–1998

**Max Battery Size (mm):**

L304 x W174 x H225

**Max Battery Weight:** 23Kg

**Suits Battery:** N70



### Part No. HDBT104

**Suits:** Landcruiser 100 & 105 Series 1HDFTE 6Cyl, 4.2 TDI All (Can be used as a 3rd tray for models 1HZ 6 cylinder 4.2 Diesel, 1FZFE 6 cylinder 4.5l Petrol)

**Models:** Auto/Manual

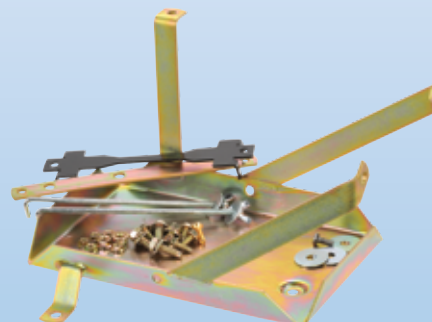
**Years:** 1998– 2007

**Max Battery Size (mm):**

L265 x W174 x H220

**Max Battery Weight:** 21Kg

**Suits Battery:** N50



## TOYOTA (continued)

### Part No. HDBT106

**Suits:** Landcruiser 100 Series 1HZ 4.2 Litre Diesel, 1FZ-FE – 4.5Ltr Petrol

**Models:** Auto/Manual

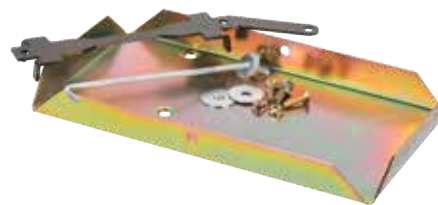
**Years:** 1998–2007

**Max Battery Size (mm):**

L304 x W175 x H225

**Max Battery Weight:** 23Kg

**Suits Battery:** N70



### Part No. HDBT108

**Suits:** Landcruiser 200 Series 1VD-FTV V8 TDI

**Models:** Auto/Manual

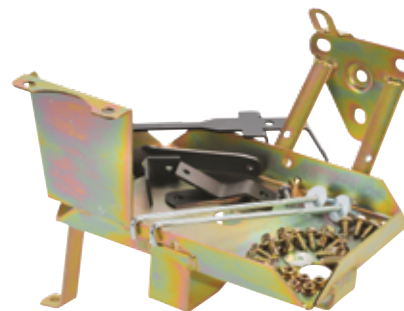
**Years:** November 2007 onwards

**Max Battery Size (mm):**

L265 x W175 x H220

**Max Battery Weight:** 19Kg

**Suits Battery:** N50 (AGM)



### Part No. HDBT110

**Suits:** Prado 120 Diesel 1KD-FTV, 3.0 Litre Turbo Diesel

**Models:** Auto/Manual

**Years:** 2003–2009

**Max Battery Size (mm):**

L300 x W174 x H220

**Max Battery Weight:** 23Kg

**Suits Battery:** N70



### Part No. HDBT112

**Suits:** Prado 150 Diesel 1KD-FTV, 3.0 Litre Turbo Diesel

**Models:** Auto/Manual

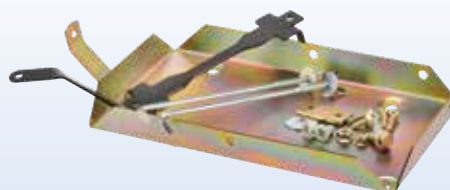
**Years:** January 2010 onwards

**Max Battery Size (mm):**

L300 x W174 x H220

**Max Battery Weight:** 23Kg

**Suits Battery:** N70



### Part No. HDBT114

**Suits:** Hilux Diesel 1KD-FTV, 3.0 Litre Turbo Diesel & 1 GR-FE, 4.0 Litre V6 Petrol

**Models:** Auto/Manual

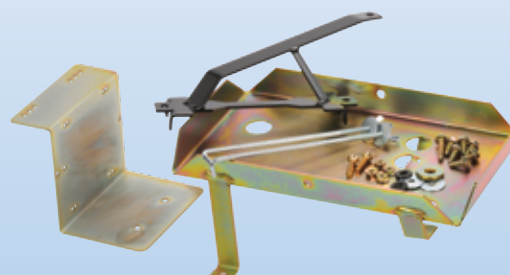
**Years:** 2005 onwards

**Max Battery Size (mm):**

L300 x W174 x H220

**Max Battery Weight:** 23Kg

**Suits Battery:** N70



## PRODUCT LIST:

<b>Part No.</b>	<b>HDBT100</b>
<b>Description</b>	Heavy-duty Dual Battery Tray to suit Toyota Landcruiser 70 Series
<b>Barcode</b>	9315219101013
<b>Availability</b>	Ex Stock
<b>Carton Qty.</b>	1
<b>Part No.</b>	<b>HDBT102</b>
<b>Description</b>	Heavy-duty Dual Battery Tray to suit Toyota Landcruiser 80 Series
<b>Barcode</b>	9315219101020
<b>Availability</b>	Ex Stock
<b>Carton Qty.</b>	1
<b>Part No.</b>	<b>HDBT104</b>
<b>Description</b>	Heavy-duty Dual Battery Tray to suit Toyota Landcruiser 100 Series 1HDFTE 6Cyl, 4.2 TDI
<b>Barcode</b>	9315219101037
<b>Availability</b>	Ex Stock
<b>Carton Qty.</b>	1
<b>Part No.</b>	<b>HDBT106</b>
<b>Description</b>	Heavy-duty Dual Battery Tray to suit Toyota Landcruiser 100 Series 1HZ 4.2Litre Diesel, 1FZ-FE – 4.5Ltr Petrol
<b>Barcode</b>	9315219101044
<b>Availability</b>	Ex Stock
<b>Carton Qty.</b>	1
<b>Part No.</b>	<b>HDBT108</b>
<b>Description</b>	Heavy-duty Dual Battery Tray to suit Toyota Landcruiser 200 Series
<b>Barcode</b>	9315219101051
<b>Availability</b>	Ex Stock
<b>Carton Qty.</b>	1
<b>Part No.</b>	<b>HDBT110</b>
<b>Description</b>	Heavy-duty Dual Battery Tray to suit Toyota Prado 120 Diesel
<b>Barcode</b>	9315219101068
<b>Availability</b>	Ex Stock
<b>Carton Qty.</b>	1
<b>Part No.</b>	<b>HDBT112</b>
<b>Description</b>	Heavy-duty Dual Battery Tray to suit Toyota Prado 150 Diesel
<b>Barcode</b>	9315219101075
<b>Availability</b>	Ex Stock
<b>Carton Qty.</b>	1
<b>Part No.</b>	<b>HDBT114</b>
<b>Description</b>	Heavy-duty Dual Battery Tray to suit Toyota Hilux Diesel
<b>Barcode</b>	9315219101082
<b>Availability</b>	Ex Stock
<b>Carton Qty.</b>	1
<b>Part No.</b>	<b>HDBT150</b>
<b>Description</b>	Heavy-duty Dual Battery Tray to suit Nissan GQ Patrol Diesel
<b>Barcode</b>	9315219101099
<b>Availability</b>	Ex Stock
<b>Carton Qty.</b>	1

<b>Part No.</b>	<b>HDBT152</b>
<b>Description</b>	Heavy-duty Dual Battery Tray to suit Nissan GU Patrol
<b>Barcode</b>	9315219101112
<b>Availability</b>	Ex Stock
<b>Carton Qty.</b>	1
<b>Part No.</b>	<b>HDBT154</b>
<b>Description</b>	Heavy-duty Dual Battery Tray to suit Nissan D22 Navara
<b>Barcode</b>	9315219101129
<b>Availability</b>	Ex Stock
<b>Carton Qty.</b>	1
<b>Part No.</b>	<b>HDBT200</b>
<b>Description</b>	Heavy-duty Dual Battery Tray to suit Mitsubishi Pajero
<b>Barcode</b>	9315219101136
<b>Availability</b>	Ex Stock
<b>Carton Qty.</b>	1
<b>Part No.</b>	<b>HDBT202</b>
<b>Description</b>	Heavy-duty Dual Battery Tray to suit Mitsubishi Triton
<b>Barcode</b>	9315219101143
<b>Availability</b>	Ex Stock
<b>Carton Qty.</b>	1
<b>Part No.</b>	<b>HDBT250</b>
<b>Description</b>	Heavy-duty Dual Battery Tray to suit Mazda B50 & Ford Ranger (Manual)
<b>Barcode</b>	9315219101150
<b>Availability</b>	Ex Stock
<b>Carton Qty.</b>	1
<b>Part No.</b>	<b>HDBT252</b>
<b>Description</b>	Heavy-duty Dual Battery Tray to suit Mazda B50 & Ford Ranger (Auto)
<b>Barcode</b>	9315219101167
<b>Availability</b>	Ex Stock
<b>Carton Qty.</b>	1
<b>Part No.</b>	<b>HDBT254</b>
<b>Description</b>	Heavy-duty Dual Battery Tray to suit Mazda BT50 & Ford Ranger
<b>Barcode</b>	9315219101174
<b>Availability</b>	Ex Stock
<b>Carton Qty.</b>	1
<b>Part No.</b>	<b>HDBT350</b>
<b>Description</b>	Heavy-duty Dual Battery Tray to suit Holden Colorado & Colorado 7
<b>Barcode</b>	9315219101181
<b>Availability</b>	Ex Stock
<b>Carton Qty.</b>	1
<b>Part No.</b>	<b>HDBT400</b>
<b>Description</b>	Heavy-duty Dual Battery Tray to suit Isuzu Dmax & MU-X
<b>Barcode</b>	9315219101198
<b>Availability</b>	Ex Stock
<b>Carton Qty.</b>	1

## ALSO AVAILABLE:

<b>IDC25</b>	3 Stage DC/Solar Battery Charger
<b>VSR100</b>	12V 100A Voltage Sensitive Relay
<b>VSR200</b>	12V 200A Voltage Sensitive Relay
<b>VSR100K</b>	12V 100A Voltage Sensitive Relay Kit
<b>DBC100</b>	12V 100A Electronic Isolator

<b>DBC150</b>	12V 150A Electronic Isolator
<b>DBC100K</b>	12V 100A Electronic Isolator Kit
<b>DBC150K</b>	12V 150A Electronic Isolator Kit
<b>DBC150TK</b>	12V 150A Electronic Isolator Kit for use with Trailer Mounted Auxiliary Battery



DBC150K Pictured